

SUPERTRACK

Z6MK4

Ku-BAND Maritime VSAT Antenna

Choose the Z-series Mk4 if you are searching for the perfect and sophisticated solution for vessels. All aspects of design have been upgraded including mechanical, electrical and RF parts with user-friendly and new functions. This improvement will convince you of much higher tracking accuracy than the previous versions, which certainly brings you the great satisfaction.



*Design is subject to change without notice

MOST SELECTED VSAT MODEL

Most customers in worldwide maritime industry have chosen SUPERTRACK Z-Series as standard VSAT system for their vessels. The Z-Series MK4 will be a optimal satellite communication performance to your vessels.

EASY MAINTENANCE

The Z5MK4 has minimized parts and PCU integrated all electric parts in one module. This feature allows easier maintenance of operators and service providers.

GYRO FREE SUPPORTING

Z5MK4 can support your connection even the vessel does not have gyro(s) or in any case of the gyro failure. Z5MK4 will sustain your network communication with tracking performance without vessel failure status related.

COST AFFORDABLE

With all the latest innovations, SUPERTRACK Z-Series MK4 promise a product line-up which can fulfil all your needs at affordable costs.

RELIABILITY, THE BASIC VIRTUE

In the middle of sea, under various tough sea condition the most important factor or lifeline is high quality communication equipment with reliable connection, stable tracking and fast network performance. Live chatting with friends, video call with family, listening radio over IP, emergency phone calls and all kinds of communication to home-world require network sustainability with reliable equipment.

The SUPERTRACK is your reliable partner all the time.

PRODUCT KEY FEATURES

- **In-built DVB-S2X Tuner**

Carrier SNR direct tracking is available

- **Easy Maintenance with simple modular design**

All electrical control parts are integrated in one single module "PCU" for fast and easy maintenance.

- **Web interface & Remote software upgrade**

Monitoring and Control (M&C) function and firmware upgrade fully supported via web interface.

- **Graphic monitoring support**

Antenna signal strength or RSSD can be monitored through web GUI via PC and other wireless device such as tablet PC and mobile phone.

- **Wi-Fi support**

ACU can be operated by Wi-fi interface, a seamless wireless interface between user and ACU

- **Proven LEO/MEO satellites tracking algorithm**

- **Option for single cable solution between ADU and BDU**

- **SNMP support**

- **Automatic Satellite Search & Skew Control**

- **Accurate Signal Acquisition by KNS's Distinctive Algorithm**

- **Pre-programmed Satellite Database**

Editable 80 satellite data



Z6MK4

Ku-BAND Maritime VSAT Antenna

SPECIFICATIONS

ABOVE DECK

Dish Diameter	61cm (24")
Antenna Dimension	85cm(D) x 84cm(H)
Antenna Weight	58 Kg
Frequency	TX : 13.75 ~ 14.5 GHz RX : 10.7 ~ 12.75 GHz
Antenna Gain	TX : 37.2 dBi @ 14.25 GHz RX : 35.7 dBi @ 11.75 GHz
G / T	14.25 dB/K (In Radome) @ 30deg. Elevation angle and 11.75GHz, Clear Sky
Operating Platform	3 - Axis (Azimuth, Cross, Elevation)
LNB	Universal LNB(4LO selectable PLL LNB)
BUC	8W
Ooen AMIP	Support
Elevation Angle	-10° to +110°
Azimuth Angle	Unlimited
Cross Angle	± 35°
Ship Motion	Roll : ±20° at 8-12 sec periods Pitch : ±10° at 6-12 sec periods Yaw : ±8° at 15-20 sec periods
Tracking Speed	More than 90°/sec
Vibration Damper	Rubber Damper Included
Antenna Input Power	48V DC 4.18A
Temperature	-20°C to +55°C
Humidity	Up to 100% @ 40°C

PACKING DIMENSION

Size	95 x 95 x 115 cm
Gross Weight	88 KG
Packed by	Paper Carton

CERTIFICATION/QUALIFICATION

Certification	CE	RoHS
Satellite Approval		

*Specification is subject to change without notice

BELOW DECK

KA - 190 Antenna Control unit

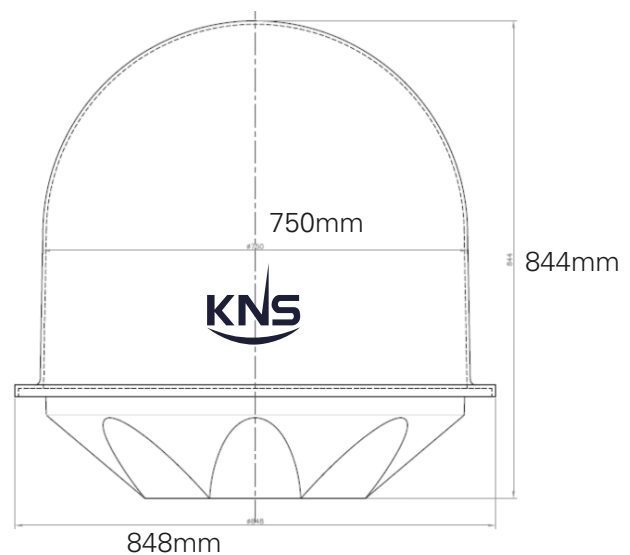


ACU Size	19" Rack 1U size
Gyro Interface	NMEA 0183, Synchro, Step by Step
Input Power	100~240V AC, 8A/4A, 50~60 Hz
Out put Power	48VDC, 4.18A
External I/O	RS-232C, RS-422, USB, Mini-USB, Ethernet, Console
Monitoring	Web Interface Support (SCS)
Wi-fi Dongle	Wi-fi access is available (Optional)

WARRANTY INFORMATION

3-year parts warranty

RADOME DIMENSION



www.kns-kr.com

KNS Headquarters

1476-55, Yuseong-daero, Yuseong-gu,
Daejeon South Korea (34055)
Tel : +82 42 932 0351
Fax : +82 42 932 0353
E-mail : sales@kns-kr.com

KNS Malaysia Sales Office

20 Jalan Setia Tropika 9/15,
Taman Setia Tropika, Johor, Malaysia
Tel : +60 1673 18407
E-mail : james@kns-kr.com

KNS Europe Sales Office

Carl-Zeiss Straße 4, 71093 Weil im
Schönbuch, Germany
Tel : +49 1727 640 257
E-mail : fpollak@kns-kr.com